

Cerniera a molle tipo "BOMMER" ad azione doppia

Art. 105-105/Z-106-107
108-109-111-113-114

Charnieres a ressort type « BOMMER » double action
Double acting spring hinges « BOMMER » type
Bisagra a muelle de doble accion



Art. 105

acciaio lucido
acier naturel
natural steel
hierro natural

Art. 105/Z

acciaio zincato
acier galvanisé
galvanized steel
hierro cingado

Art. 106

acciaio verniciato
acier verni
painted steel
hierro pintado

Art. 107

acciaio nichelato
acier nickélé
nickeled steel
hierro niquelado

Art. 108

acciaio bronzato
acier bronzé
bronzed steel
hierro bronceado

Art. 109

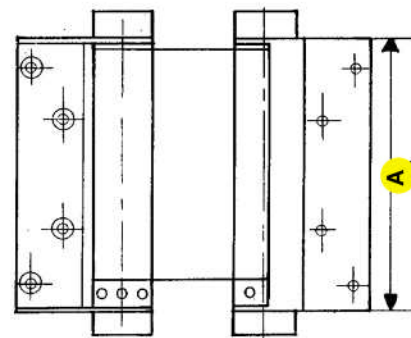
acciaio ottonato
acier laitonné
brassed steel
hierro latonado

Art. 111

ottone lucido
laiton poli
polished brass
laton lucido

Art. 113

ottone nichelato
laiton nickelé
nickeled brass
laton niquelado



Art. 114

acciaio inossidabile
acier inox
stainless steel
acero inox

GRANDEZZA - GRANDEUR - SIZE		N°	29	30	33	36	39	42
LUNGHEZZA - LONGUER - LENGTH - MEDIDA		A mm	75	100	125	150	175	200
PER PORTE POUR PORTES FOR DOORS POR PUERTAS	LARGHEZZA-LARGEUR-WIDTH	mm	600	700	700	750	850	1000
	SPESSORE-EPAISSEUR-TICKNESS	mm	18-25	25-30	30-35	35-40	40-45	45-50
	PESO-POIDS-WEIGHT	kg	15	22	27	40	55	70
CODICE ART. 105			105029	105030	105033	105036	105039	105042
CODICE ART. 105/Z			105029Z	105030Z	105033Z	105036Z	105039Z	105042Z
CODICE ART. 106			106029	106030	106033	106036	106039	106042
CODICE ART. 107			107029	107030	107033	107036	107039	-
CODICE ART. 108			108029	108030	108033	108036	108039	-
CODICE ART. 109			109029	109030	109033	109036	109039	-
CODICE ART. 111			111029	111030	111033	111036	-	-
CODICE ART. 113			113029	113030	113033	113036	-	-
CODICE ART. 114			114029	114030	114033	114036	-	-
N° Pcs PAIA - PAIRES - PAIRS			1	1	1	1	1	1
Kg. ART. 105-106-107-108-109			1,000	1,300	1,720	2,600	3,500	6,000
Kg. ART. 111-113-114			1,050	1,400	1,820	2,800		



Art. 105



Art. 109



Art. 106



Art. 111



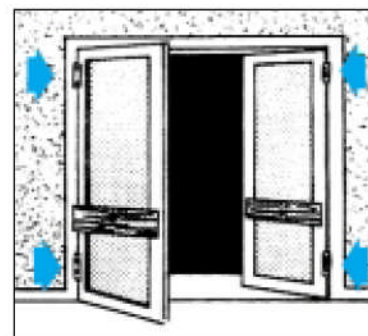
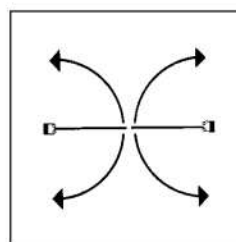
Art. 107



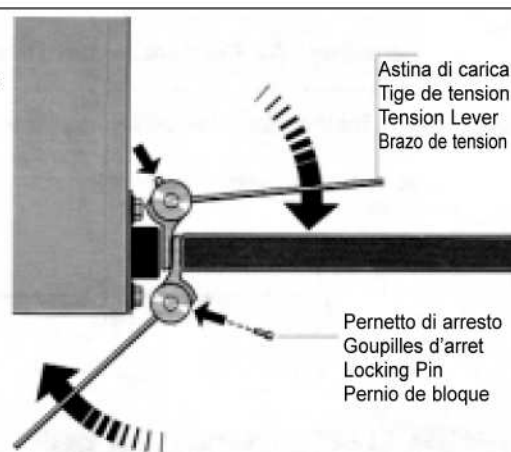
Art. 114



Art. 108



Schema di tensionamento cerniere
Tension des charnières
Tensioning of Double Action Hinges
Tension de las muelles



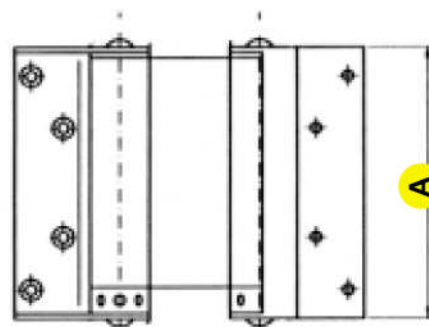
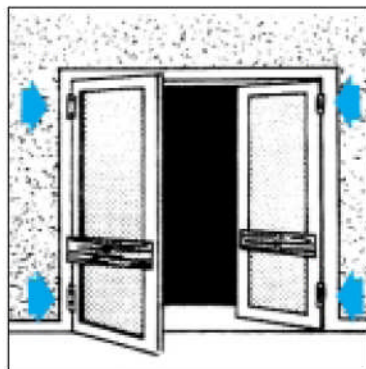
Astina di carica
Tige de tension
Tension Lever
Brazo de tension

Pernetto di arresto
Goupilles d'arrêt
Locking Pin
Pernio de bloque

Art. 116-117

Cerniera a molla doppia azione rivettata

Charnière a ressort double action sans bouchons
Double acting spring hinges without knob
Bisagra a muelle de doble accion sin pomos



Art. 116
in acciaio lucido
acier naturel
natural steel
hierro natural

Art. 117
in acciaio verniciato
acier verni
steel lackered
hierro pintado

Per tutte le altre specifiche vedere art.105
Pour toutes autres dimensions voir art.105
For all others sizes see art.105
Otras medidas como Art. 105

GRANDEZZA - GRANDEUR - SIZE	N°	29	30	33	36
LUNGHEZZA - LONGUER - LENGTH - MEDIDA	A mm	75	100	125	150
CODICE ART. 116		116029	116030	116033	116036
CODICE ART. 117		117029	117030	117033	117036
N° Pcs PAIA - PAIRES -PAIRS		1	1	1	1
Kg.		0,900	1,200	1,600	

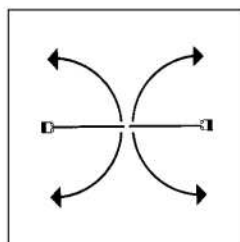
Cerniera a molla tipo "BOMMER" azione doppia con cuscinetto a sfera

Art. 119

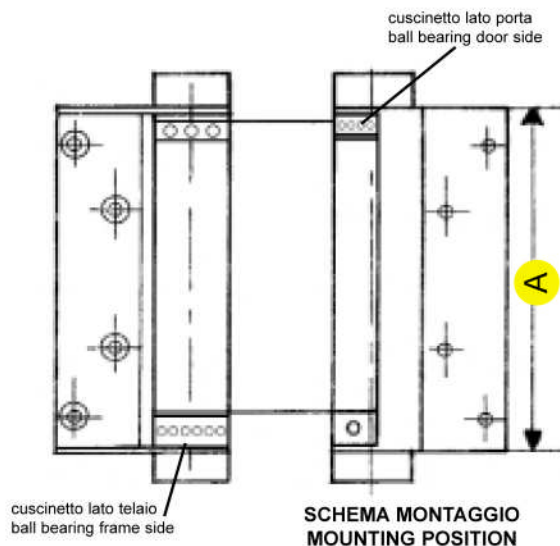
Charnières à ressort type "BOMMER" double action avec bague à billes
Double acting spring hinges "BOMMER" type with ball bearing
Bisagra a muelle doble accion con rodamientos de bolas



in acciaio zincato
acier zingué
galvanized steel
hierro cingado

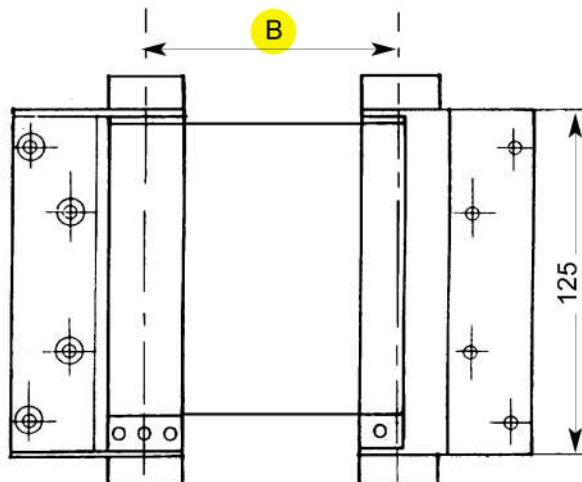


A mm	150
CODICE ART.	119036
N° Paia	1
Kg.	2,000



**SCHEMA MONTAGGIO
MOUNTING POSITION**

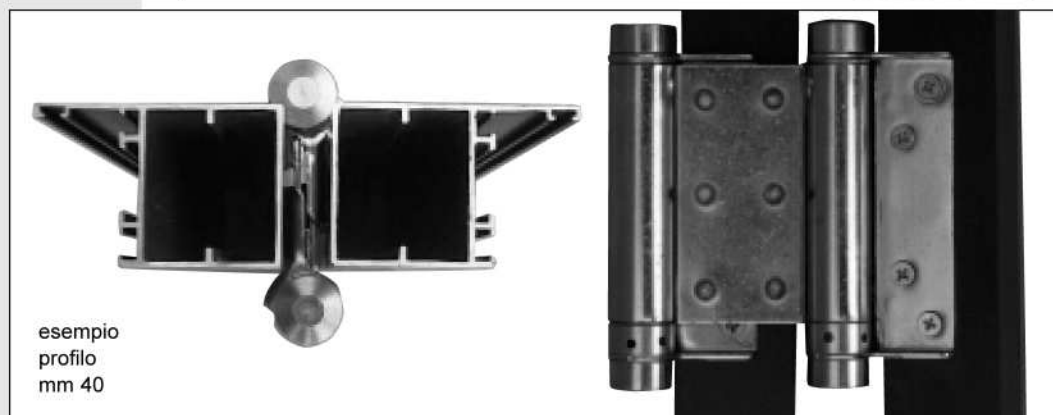
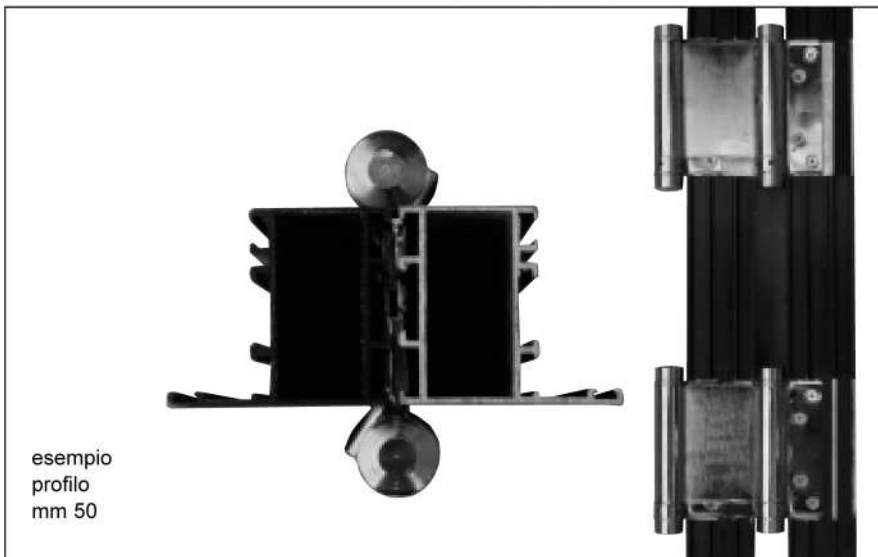
Charnieres a ressort type "BOMMER" double action pour profils en aluminium
Double acting spring hinges "BOMMER" type for aluminium profiles
Bisagra a muelle de doble accion por perfiles en aluminio



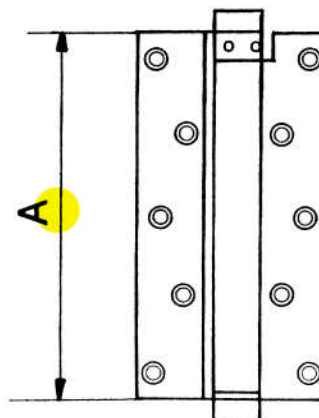
B = 66 per profili da mm 40
B = 76 per profili da mm 50

GRANDEZZA - GRANDEUR - SIZE		B mm	66	50
LUNGHEZZA - LONGUEUR - LENGTH - MEDIDA		A mm	125	125
PER PORTE POUR PORTES FOR DOORS POR PUERTAS	LARGHEZZA-LARGEUR-WIDTH	mm	700	700
	SPESSORE-EPAISSEUR-TICKNESS	mm	40	50
	PESO-POIDS-WEIGHT	kg	30	30
CODICE ART.			118040	118050
N° Pcs PAIA - PAIRES -PAIRS			1	1
Kg.			2,100	2,100

acciaio verniciato nero
en acier verni noir
black lackered steel
hierro pintado negro



Art. 101-101/B-101/BR
101/I-102-103-104



porta sinistra
porte à gauche
left door
puerta izquierda

porta destra
porte à droite
right door
puerta derecha

Art. 101
acciaio lucido
acier naturel
natural steel
hierro natural

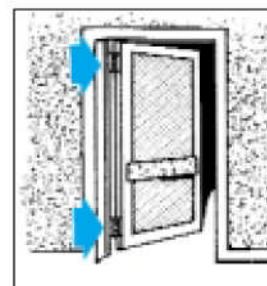
Art. 102
acciaio nichelato
acier nickelé
nickeled steel
hierro niquelado

Art. 101/B
acciaio verniciato
acier verni
painted steel
hierro pintado

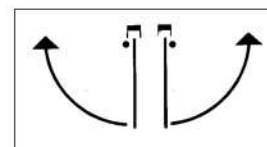
Art. 103
ottone lucido
laiton poli
polished brass
laton lucido

Art. 101/BR
acciaio verniciato rivettate
acier verni rivetees
painted steel without knob
hierro pintado sin pomos

Art. 104
ottone nichelato
laiton nickelé
nickeled brass
laton niquelado



Art. 101/I
acciaio inossidabile
acier inox
stainless steel
acero inox



Art. 101/B



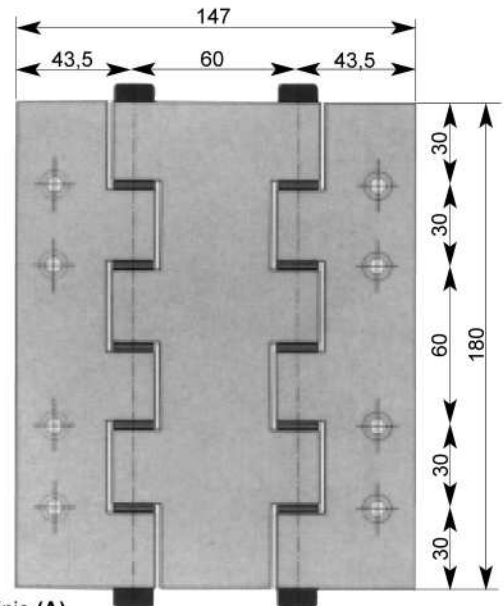
GRANDEZZA - GRANDEUR - SIZE		N°	0	1	5	9	13
LUNGHEZZA - LONGUER - LENGTH - MEDIDA		A mm	75	100	125	150	175
PER PORTE POUR PORTES FOR DOORS POR PUERTAS	LARGHEZZA-LARGEUR-WIDTH	mm	600	700	700	750	850
	SPESSORE-EPAISSEUR-TICKNESS	mm	18-25	25-30	30-35	35-40	40-45
	PESO-POIDS-WEIGHT	kg	15	22	27	40	55
CODICE ART. 101			101029	101030	101033	101036	101039
CODICE ART. 101/B			101029B	101030B	101033B	101036B	101039B
CODICE ART. 101/BR			101029BR	101030BR	101033BR	101036BR	101039BR
CODICE ART. 101/I			101029I	101030I	101033I	101036I	-
CODICE ART. 102			102029	102030	102033	102036	102039
CODICE ART. 103			103029	103030	103033	103036	-
CODICE ART. 104			104029	104030	104033	104036	-
N° Pcs PAIA - PAIRES - PAIRS			2	2	2	2	2
Kg.			1,100	1,400	1,900	2,800	3,900

Art. 138



Cerniera a molla doppia azione in alluminio

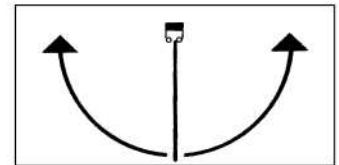
Charniere à ressort double action en aluminium
Spring hinge double acting in aluminium
Bisagra a muelle de doble accion en aluminio



Art.	138
COD. ART. (N)	138N
COD. ART. (B)	138B
COD. ART. (A)	138A
N° Paia	1
Kg.	1,150

Nero opaco (N) - bianco (B) - alluminio (A)
Noir (N) - blanc (B) - argent (A)
Black (N) - white (B) - silver (A)
Negro (N) - blanco (B) - ? (A)

Portata 2 cerniere Capacite pour 2 charnieres Loading charge for 2 hinges Fuerza 2 bisagras	Kg. 35/40
--	--------------



Art. 128



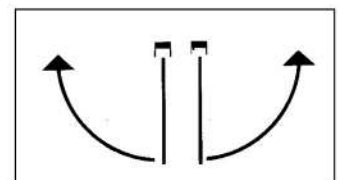
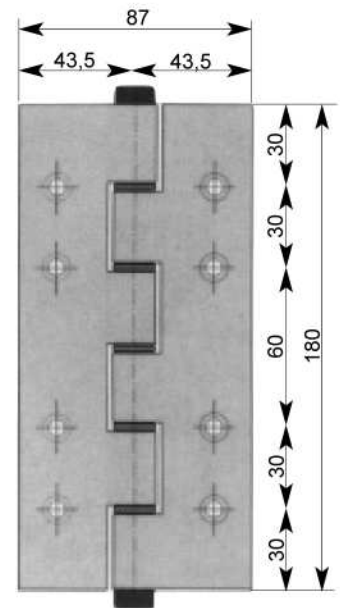
Cerniera a molla azione singola in alluminio

Charniere à ressort simple action en aluminium
Spring hinge single acting in aluminium
Bisagra a muelle de simple accion en aluminio

Art.	128
COD. ART. (N)	128N
COD. ART. (B)	128B
COD. ART. (A)	128A
N° Paia	1
Kg.	0,720

Nero opaco (N) - bianco (B) - alluminio (A)
Noir (N) - blanc (B) - argent (A)
Black (N) - white (B) - silver (A)
Negro (N) - blanco (B) - plata (A)

Portata 2 cerniere Capacite pour 2 charnieres Loading charge for 2 hinges Fuerza 2 bisagras	Kg. 35/40
--	--------------



Cerniera a molla azione semplice - serie leggera

Art. 120-121-122

Charniere a ressort simple action - model léger Single acting spring hinge - light model Bisagra a muelle de simple accion



Art. 120

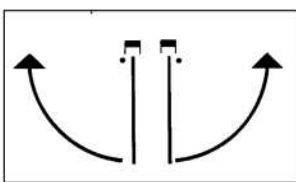
in acciaio lucido
en acier naturel
natural steel
hierro natural

Art. 121

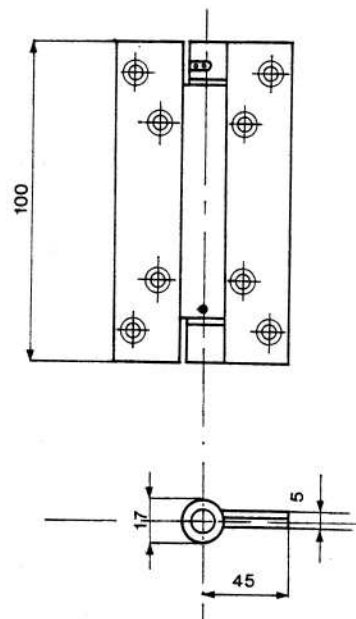
in acciaio verniciato
en acier verni
lackered steel
hierro pintado

Art. 122

in acciaio nichelato
en acier nickelé
nickel plated steel
hierro niquelado



Art.	120	121	122
CODICE ART.	120	121	122
N° Paia	2	2	2
Kg.	1,200		



per porte di peso fino a kg.15
pour portes poids max kg.15
for doors max weight kg.15
por puertas hasta kg.15

Cerniera a molla azione doppia - serie leggera

Art. 130-131-132

Charniere a ressort double action - model léger Double acting spring hinge - light model Bisagra a muelle de doble accion



Art. 130

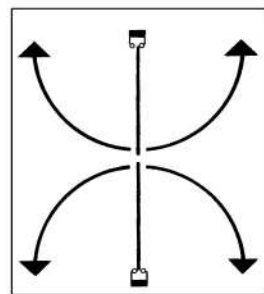
in acciaio lucido
en acier naturel
natural steel
hierro natural

Art. 131

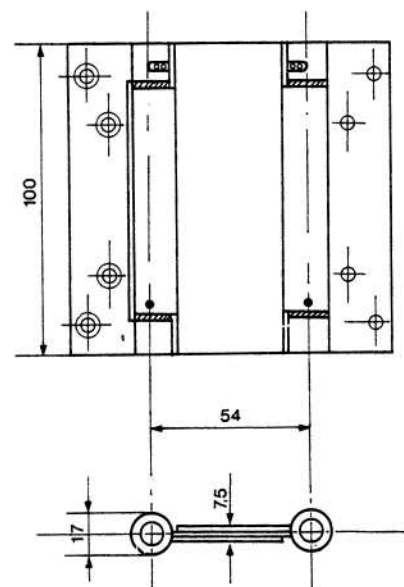
in acciaio verniciato
en acier verni
lackered steel
hierro pintado

Art. 132

in acciaio nichelato
en acier nickelé
nickel plated steel
hierro niquelado



Art.	130	131	132
CODICE ART.	130	131	132
N° Paia	1	1	1
Kg.	1,000		



per porte di peso fino a kg.15
pour portes poids max kg.15
for doors max weight kg.15
por puertas hasta kg.15