

620 C
680 C

GATE CLOSERS



Ariel Door Gears Ltd

25 Crescent Place, Clontarf, Dublin 3, Ireland.
Telephone +353 (0) 1 833 3168 Fax +353 (0) 1 833 5841
www.adg.ie



620 C 680 C

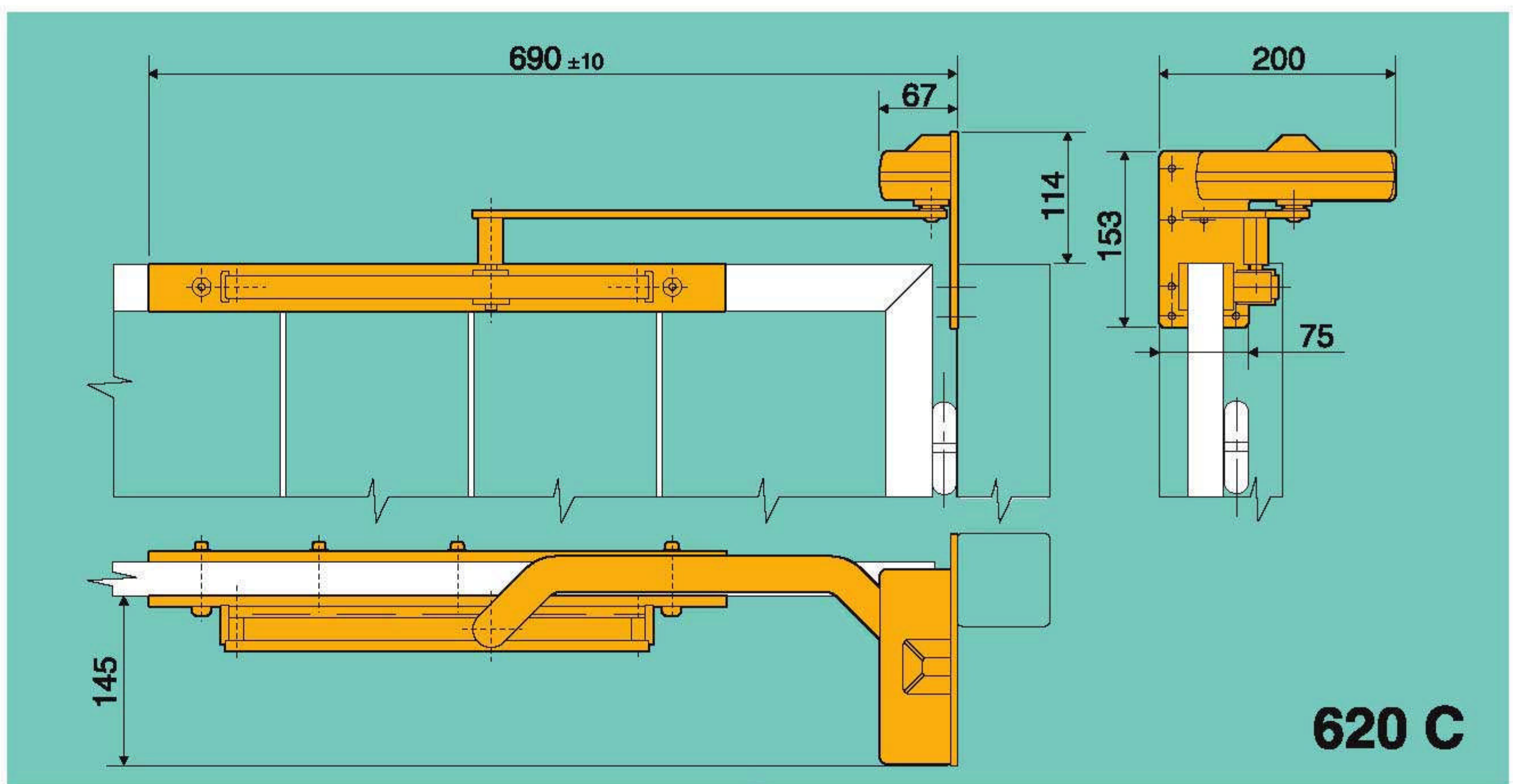
GATE CLOSERS WITH SLIDING ARM

Extremely easy to install, these gate closers are particularly recommended for added safety and security of residences

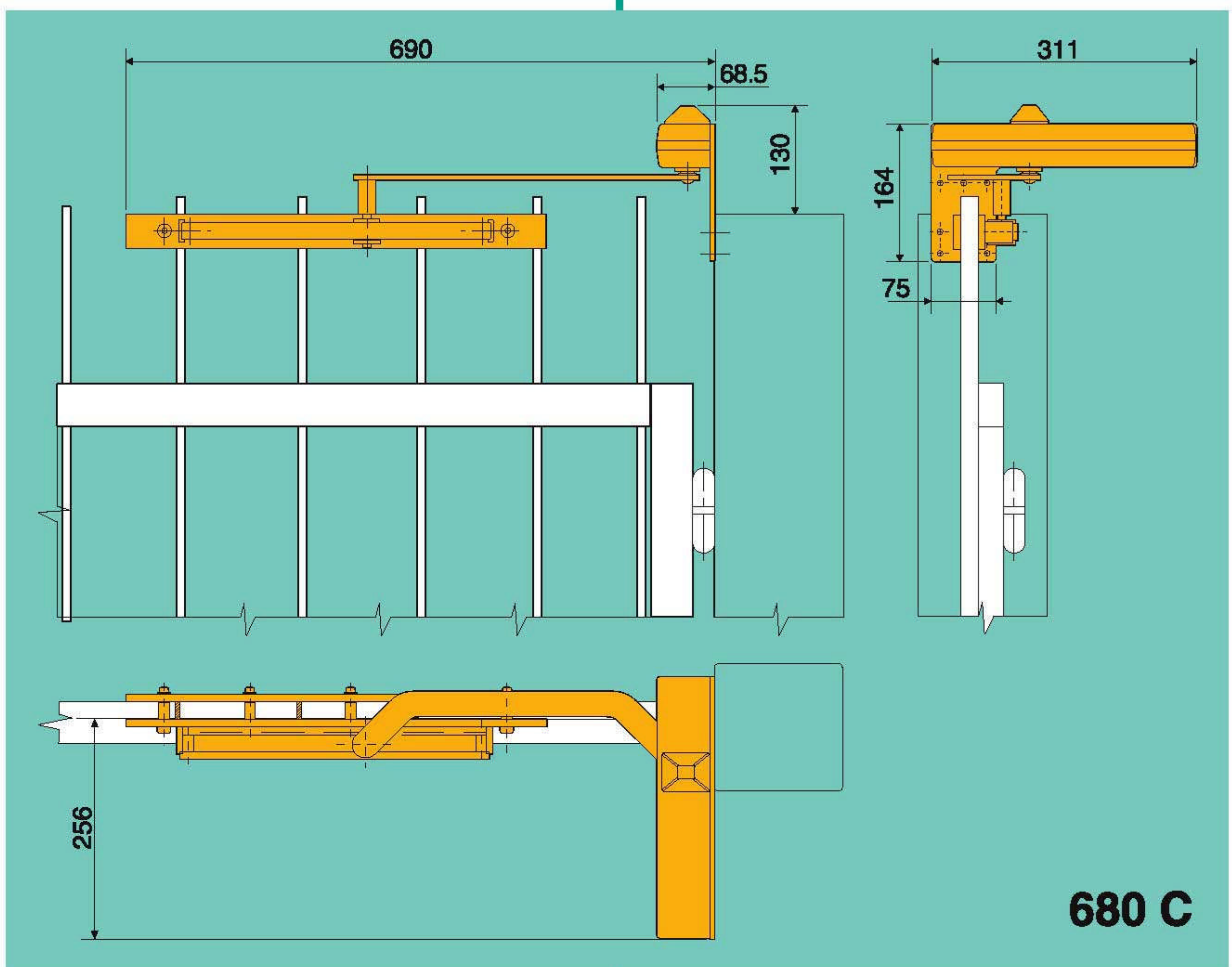
- to prevent toddlers and pets from exiting pedestrian gates unadvertently left open
- to make sure that gates are closed at all times

FEATURES

- Two closing speeds independently controlled by thermostatic valves.
- Adjustable power (art.680 C).
- Adjustable back check (art.680 C).
- Pinch free sliding arm & rail for safe use.
- Soft opening and strong closing.
- Suitable for gates with or without protruding bars.
- Finish: black.



620 C



680 C

INSTALLATION

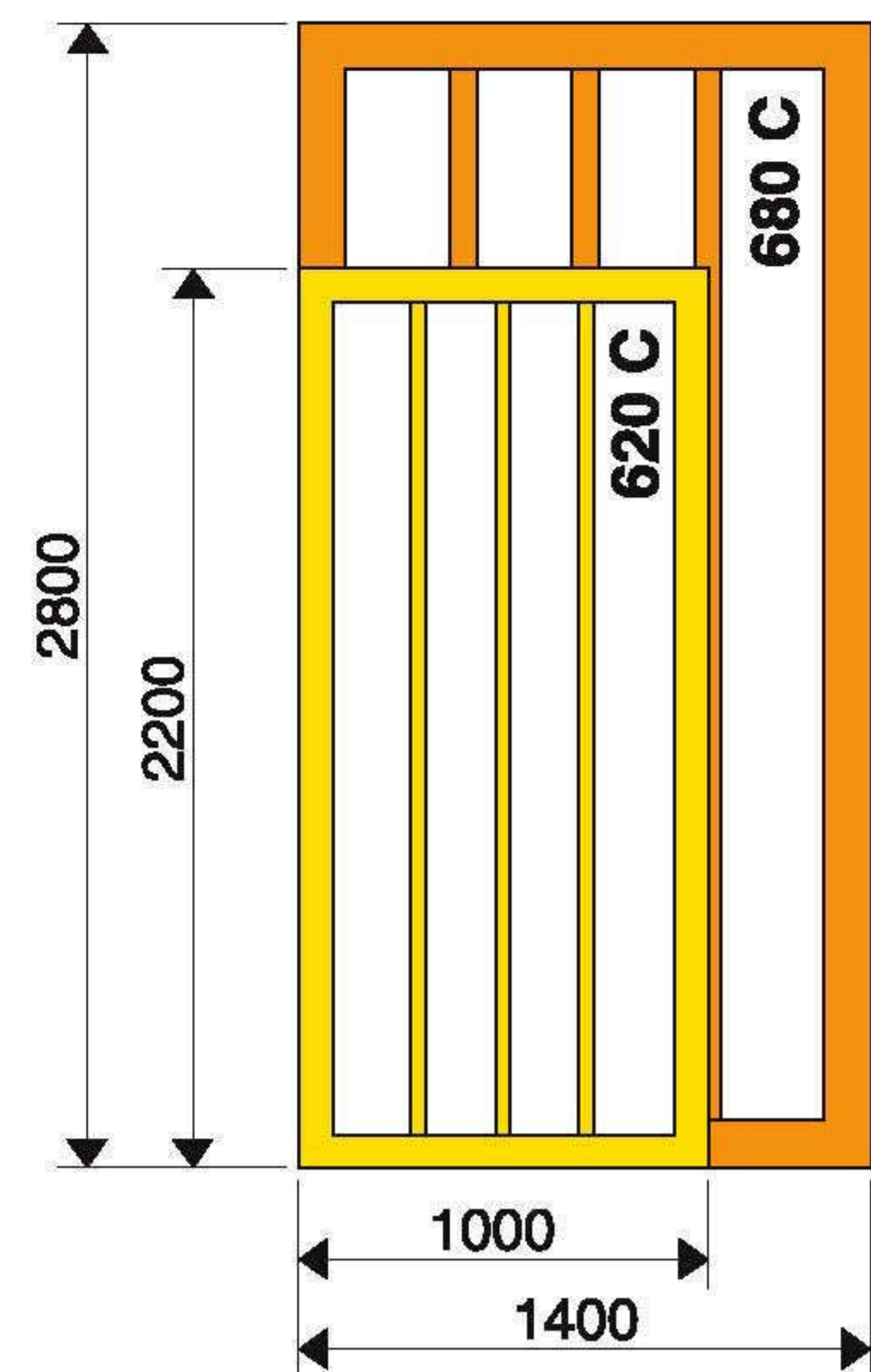
Closers 620 C & 680 C are supplied with all mounting screws and accessories.
No welding needed.

SPECIFICATION

Gate closers with sliding arm, Mab 620 C / 680 C.

RECOMMENDED GATE SIZE LIMITS:

- 1000 x 2200
 - 1400 x 2800
- (for gates without panels).



Ariel Door Gears Ltd

25 Crescent Place, Clontarf, Dublin 3, Ireland.
Telephone +353 (0) 1 833 3168 Fax +353 (0) 1 833 5841
www.adg.ie

