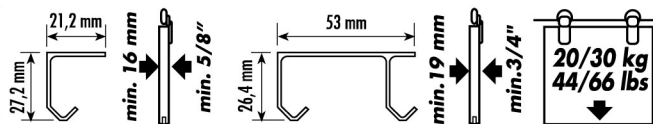
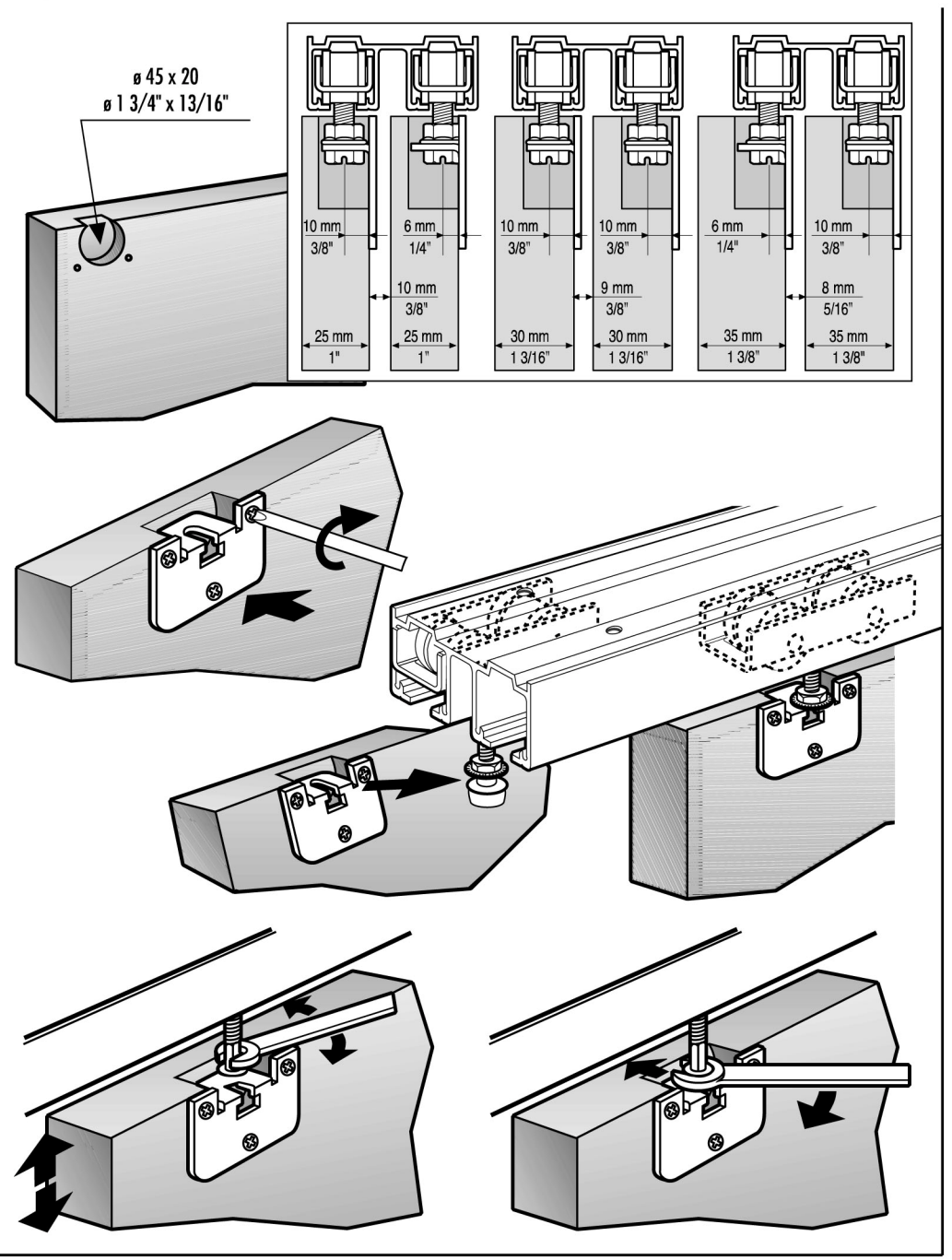
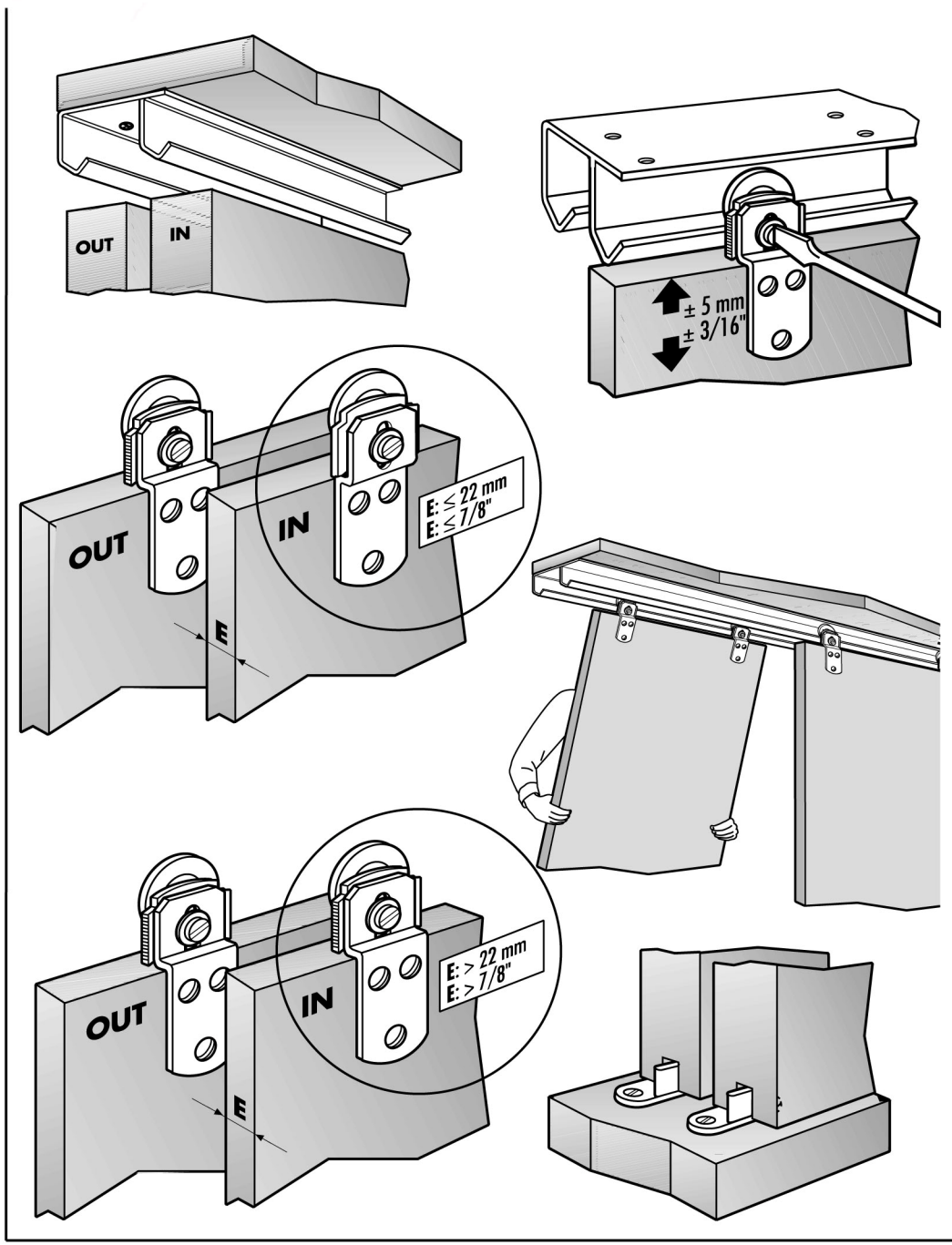
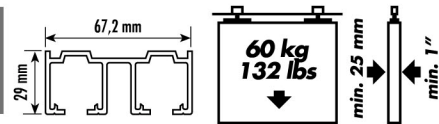




**K.20**  
**K.30**

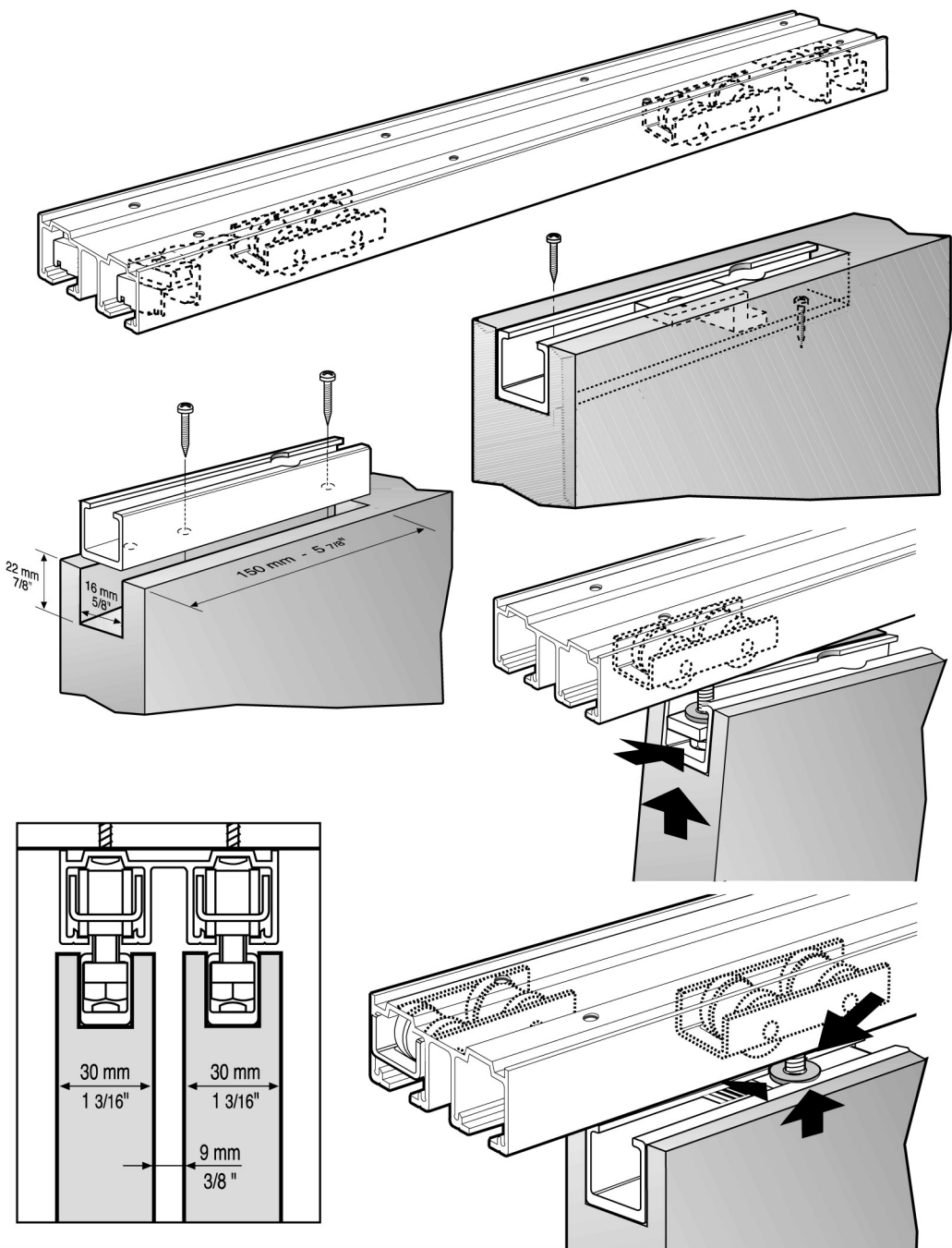
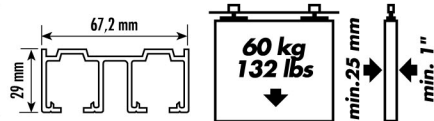


**CLOS SLID.60**

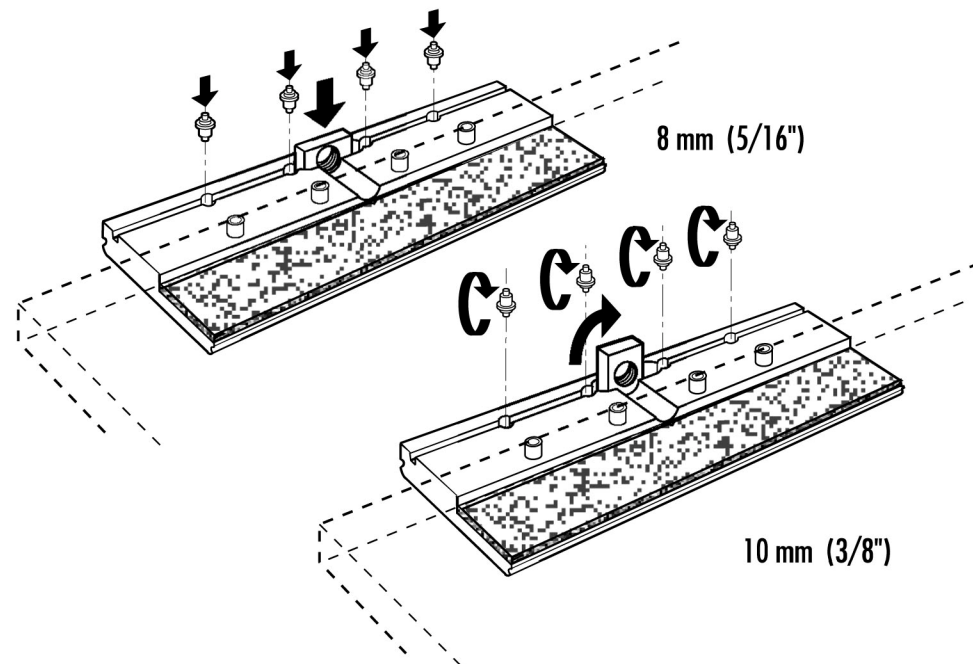
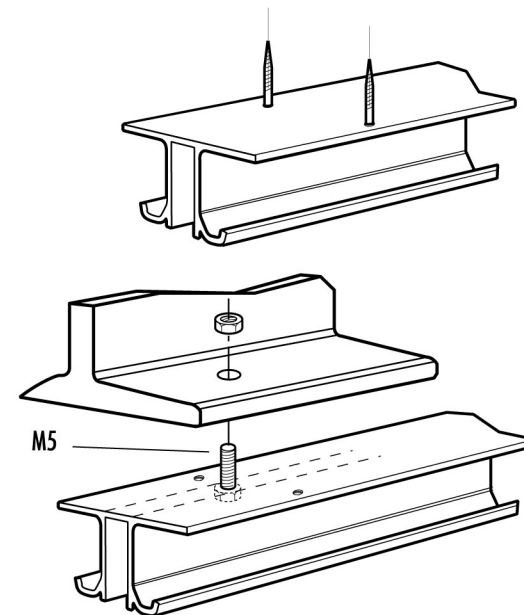
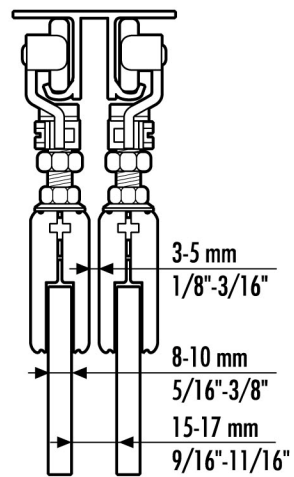
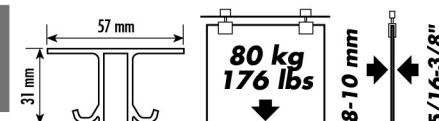




# CLOS SLID.60



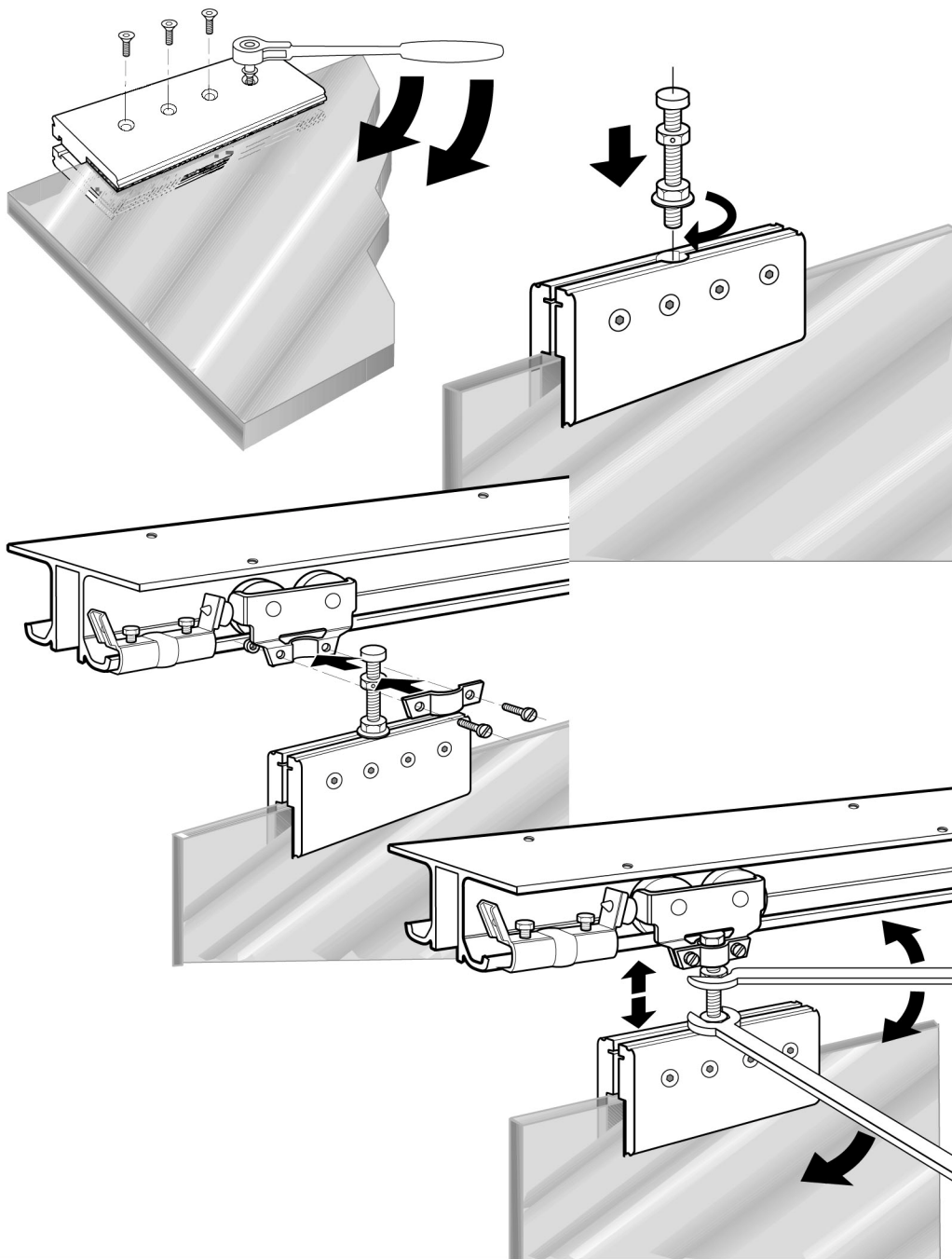
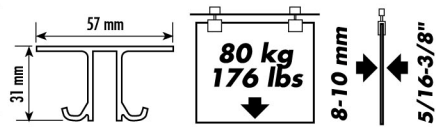
# CLOS GLASS.80



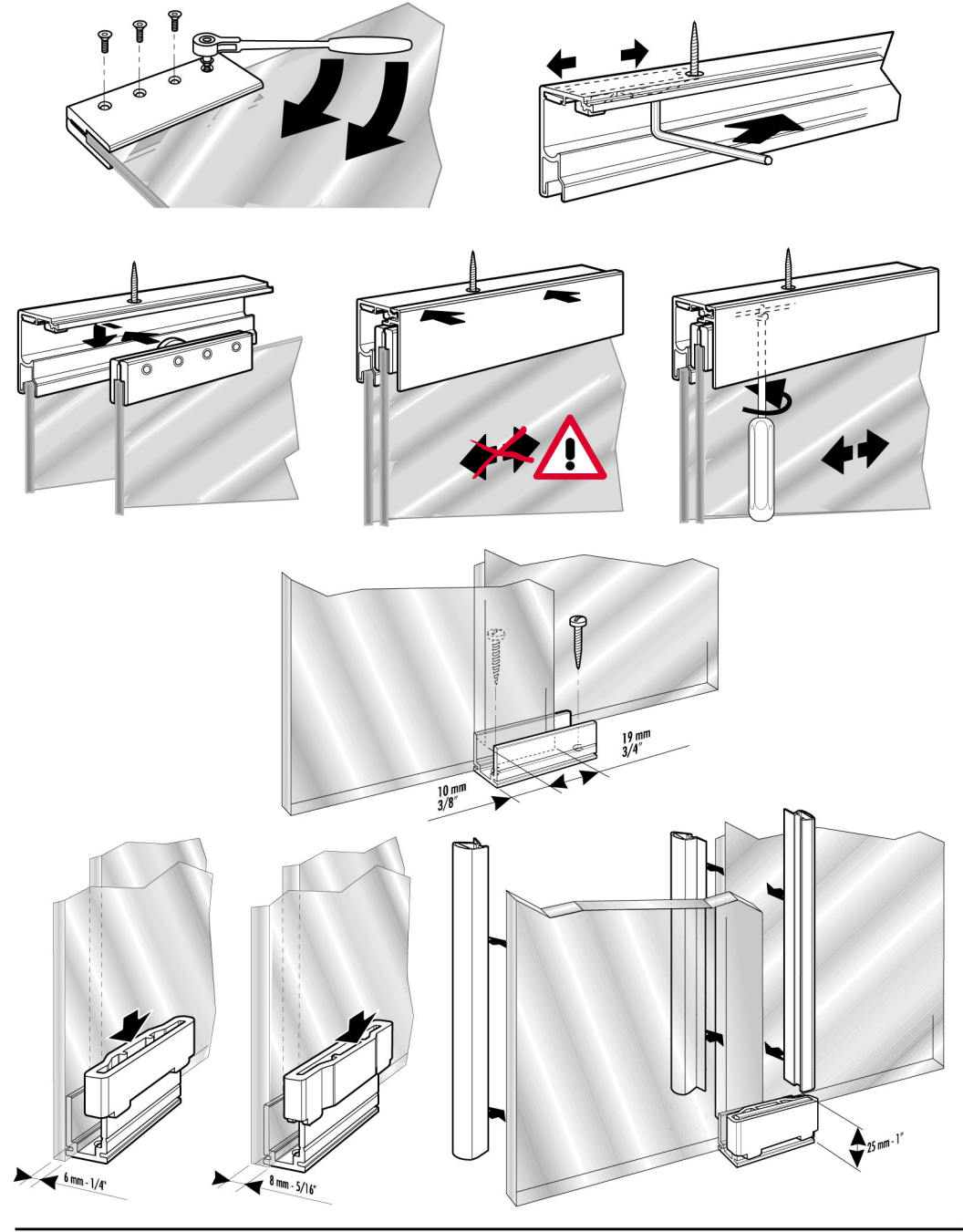




# CLOS GLASS.80

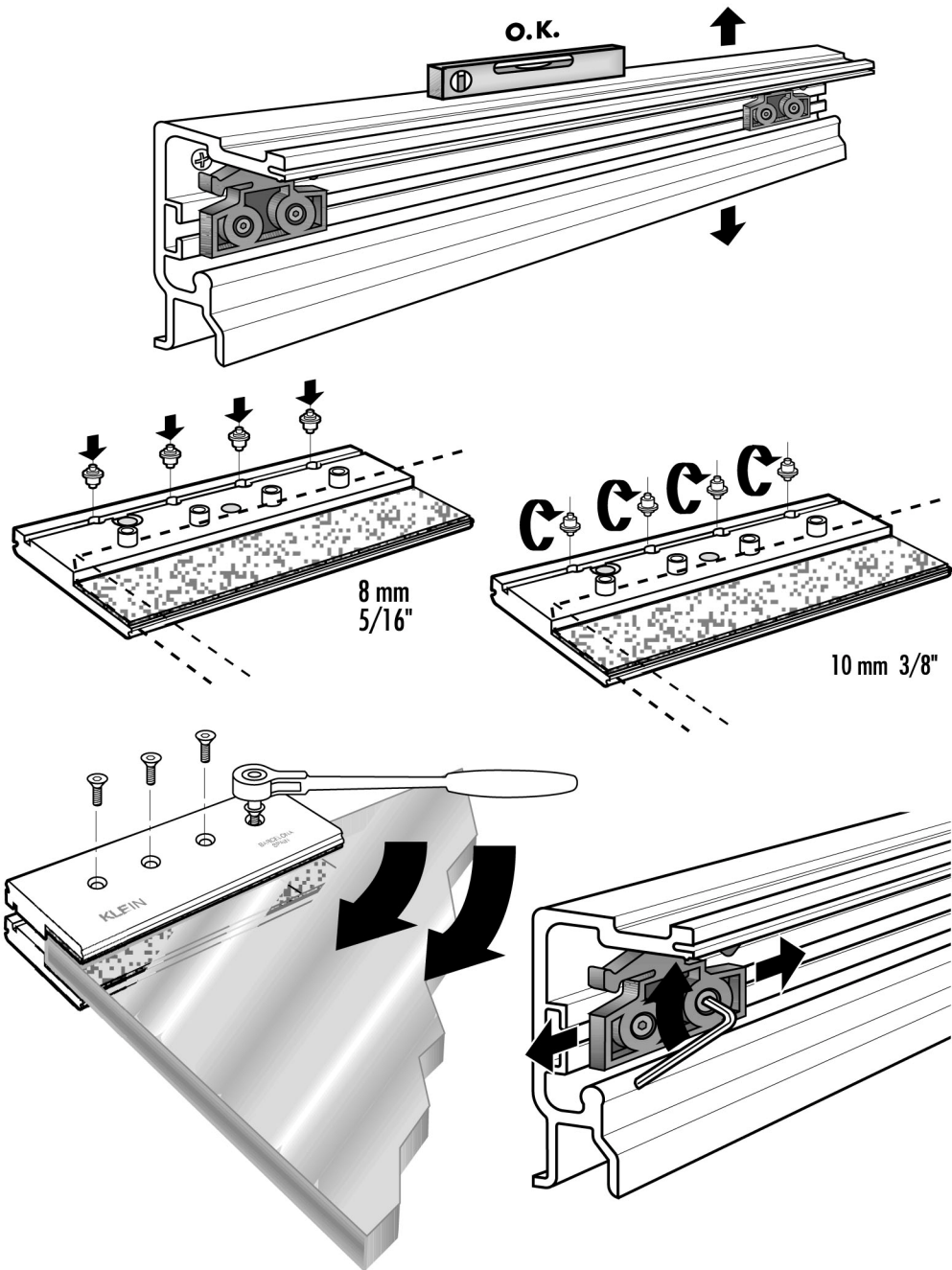
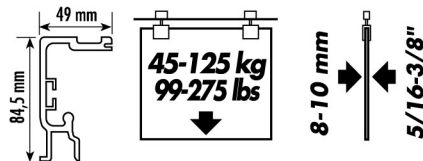


# ROLL GLASS.40





**ROLL GLASS.45/80**  
**ROLL GLASS.125**



**ROLL GLASS.45/80**  
**ROLL GLASS.125**

