

# Shark



## Electromechanical underground motor for swing gates

Metal and bronze alloy components, water proof system, assuring long lasting reliability

Galvanised or stainless-steel foundation box, with optional mechanical stops in opening and closing

For swing gates with leaf up to 3 m, also in 24Vdc version and with oil-bath motor for intensive use

### MODELS AND ACCESSORIES

#### SHARK

Underground irreversible gear motor 230V

#### SHARK 24

Underground irreversible gear motor 24Vdc

#### SHARK OIL

Underground irreversible gear motor 230V in oil bath

Silent, elegant and unobtrusive, it's the perfect automation to enhance the look of antique or valuable gates



#### PLS02

180° opening device



#### CSHR105

Opening mechanical stop

#### CSHR106

Closing mechanical stop



years of warranty

3



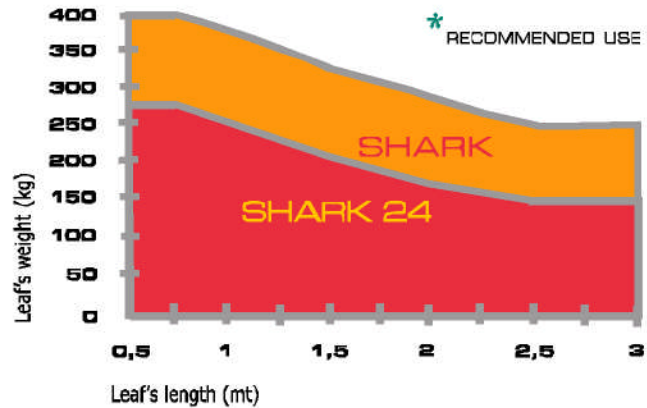
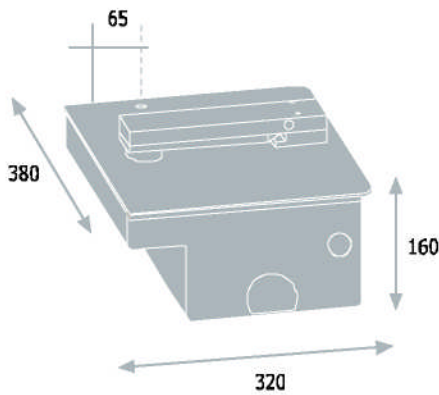
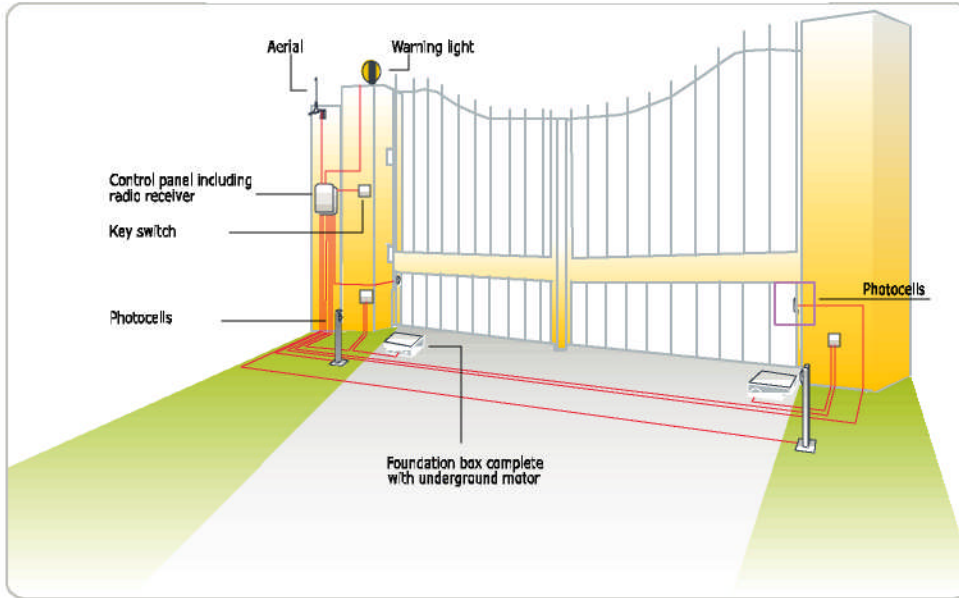
# SHARK KIT 230V

# SHARK KIT 24V

- 2 SHARK underground motors with galvanised foundation box
- 1 Q60A control panel including radio receiver 433,92 Mhz and box
- 1 RF36 safety photocells set
- 1 RS15 key switch
- 1 RL11 blinker 24Vdc
- 2 HIT transmitters 3 channels
- Fixing brackets and instructions



- 2 SHARK 24 underground motors with galvanised foundation box
- 1 Q54A control panel including radio receiver, box
- 1 RF36 safety photocells set
- 1 RS15 key switch
- 1 RL09 blinker 12Vdc
- 2 HIT transmitters 3 channels
- 2 back-up batteries 12Vdc - 1,2A, a battery- charger
- Fixing brackets and instructions



TECHNICAL FEATURES	24V	230V	OIL
Power supply	24Vdc	230V ~ 50Hz	230V ~ 50Hz
Absorption	0,8 - 1 A	1,2-1,7A	1,2-1,7A
Motor power	60W	300W	300W
Capacitor	----	10µ	10µ
Thermic protection	----	150°	150°
Maximum thrust	200N	300N	300N
IP level	66	66	66
Revolutions speed	1400 g/m	1400 g/m	1400 g/m
Working temperature	-25° - +70°	-25° - +70°	-25° - +70°
Leaf's maximum length	2,50 m	3 m	3 m
Leaf's maximum weight	200 Kg	300 Kg	300 Kg
Maximum opening	110°	110°	110°
90° opening time	15"	15"	15"
Duty cycle	90%	50%	60%

25 Crescent Place, Clontarf, Dublin 3, Ireland.  
 Telephone +353 (0) 1 833 3168 Fax +353 (0) 1 833 5841  
 E-Mail: [info@adg.ie](mailto:info@adg.ie) Web: [www.adg.ie](http://www.adg.ie)

